

### Product description

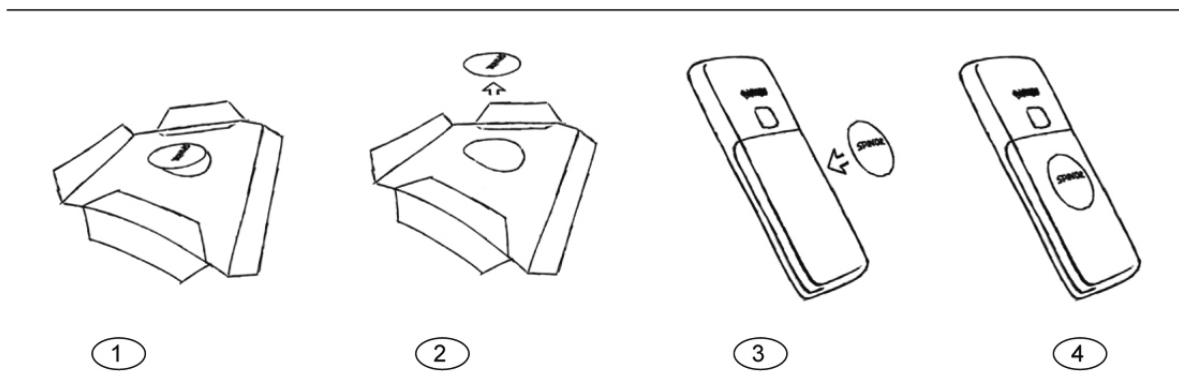
This device is a result of latest discoveries in the field of quantum physics, bio chemistry, and biophysics. The device provides reliable and convenient protection from adverse effect of electromagnetic fields and their informational component emitted by all wireless devices, computers, microwave oven and other electronic devices.

It is designed as a holographic self-adhesive sticker that can be easily attached to the back panel of cell phone, MP3 player, etc. The device neutralizes a harmful component of electromagnetic field that interacts with biological fields generated by cells and DNAs. Such energy begins to distort the balanced light (or information) emitted from our DNA and alter the corresponding instructions to our cells. Over the time this distortion reflected in the physical form as disease or illness.

Moreover, protective properties of this device are transferred from the protected phone to the unprotected during wireless connection session regardless on the distance.

For more information please check our web site: [www.geoguardtechnologies.com](http://www.geoguardtechnologies.com)

### Application of the device



1. Remove insert from the package.
2. Gently detach the holographic self adhesive sticker. Do not touch adhesive back side of the sticker.
3. Affix the sticker to the back panel of the cell phone, PDA, MP3 player, etc.
4. Slightly press the sticker to the mounted surface to provide uniform adhesion.

Note:

For the lap top affix two stickers to the left and right of the back side close to batteries. For the flat screen monitor affix two stickers to the left and right side of the front panel (do not affix to the monitor).

This device carries 2 years manufacturing warranty.